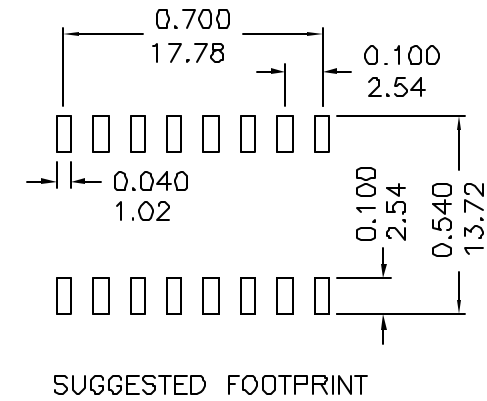
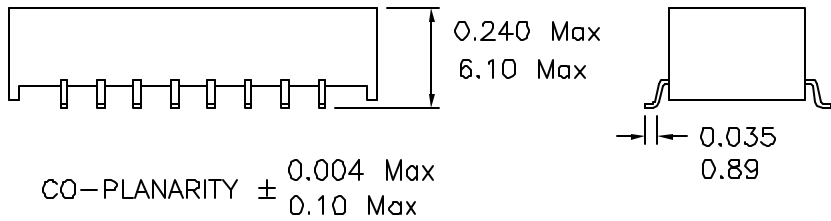
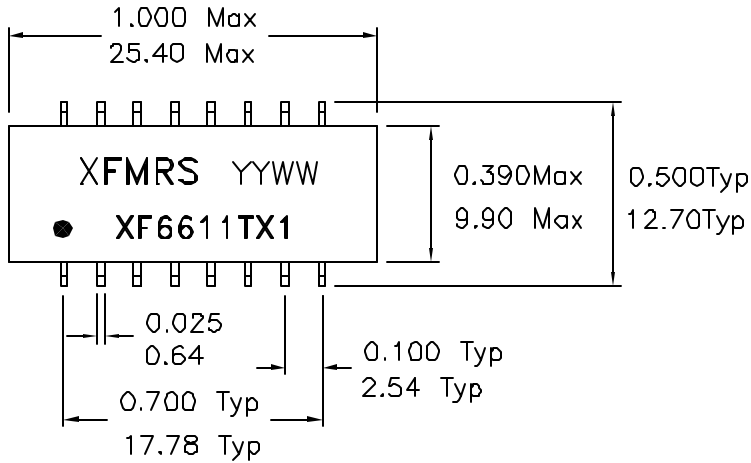


### 1. Dimensions:

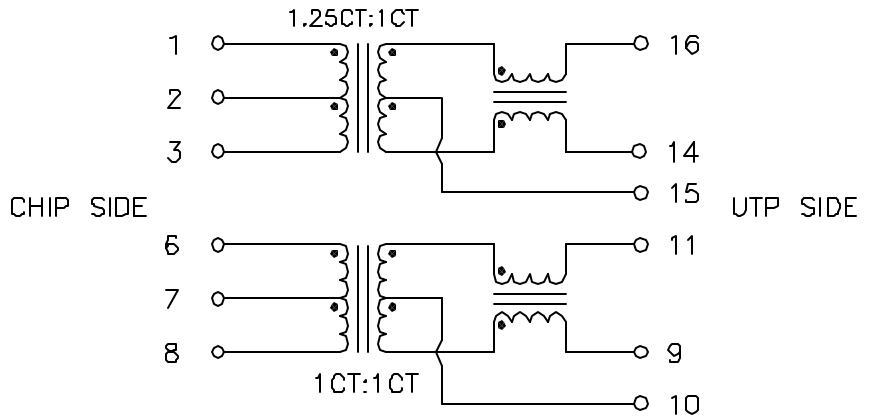


**Notes:**

1. Solderability: Leads shall meet MIL-STD-202, Method 208D for solderability.
2. Flammability: UL94V-0
3. ASTM oxygen index: > 28%
4. Insulation System: Class F 155°C. UL file E151556
5. Operating Temperature Range: All listed parameters are to be within tolerance from -40°C to +85°C
6. Storage Temperature Range: -55°C to +125°C
7. Aqueous wash compatible

DOC. REV. C/2

### 2. Schematic:



### 3. Electrical Specifications: @25°C

- UTP Impedance: 100 OHMS
- Turns Ratio: TX : 1.25CT:1CT ±2% RX : 1CT:1CT ±2%
- Isolation Voltage: 1500 VAC (Input to Output)
- UTP Side OCL: 350uH Minimum @100KHz, 100mV 8mADC
- Rise Time (10-90%): 2.0ns Typical
- Insertion Loss (1M-100MHz): 1.0dB Maximum
- Return Loss(5-100MHz): 15dB Typical
- CMRR (1MHz-100MHz): 40dB TYPICAL
- Crosstalk Attenuation: 30dB Minimum

<b>XFMRS Inc.</b>	Title: 10/100BASE-TX MAGNETICS		
	UNLESS OTHERWISE SPECIFIED TOLERANCES: .xxx ±0.010 Inch Dimensions in Inch/mm	P/N: XF6611TX1	REV. C
	DWN.	康玉坤	Dec-04-02
	CHK.	李清儿	Dec-04-02
	APP.	BW	Dec-04-02